

ORBI-G3 Limited Access Tank Cleaner

The Sellers[®] Orbi-G3 Rotating Tank Cleaner provides complete tank cleaning that is both thorough and cost-effective. This NEW model offers the same features found in most SELLERS products:

- Fluid drive with external gears.
- The Orbi-G3 is specifically designed to fit a 3 in. opening, and this model incorporates a set of bevel gears which provide a complete 360 degree indexing pattern, every 45 revolutions, making it ideal for use with IBC's, totes, or other limited access vessels, and small tanks up to 30 feet in diameter.
- The rotating head, driven by the hydraulic pressure of the cleaning solution, produces dual streams that contact all surface areas. The Orbi-G3 needs no lubrication, and provides the impact needed for the most difficult cleaning applications.
- Simplicity of design and economic value for use in a wide variety of industries:
 - BULK TRANSPORT
 - BEVERAGE
 - CHEMICAL PROCESSING
 - FOOD PROCESSING
 - PHARMACEUTICAL
 - DAIRY
 - AND MANY OTHERS

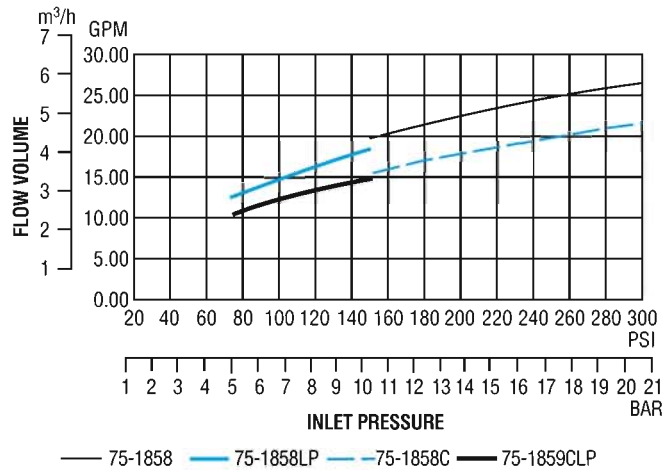
***Designed for Optimum
Cleaning Action and
Economic Performance***



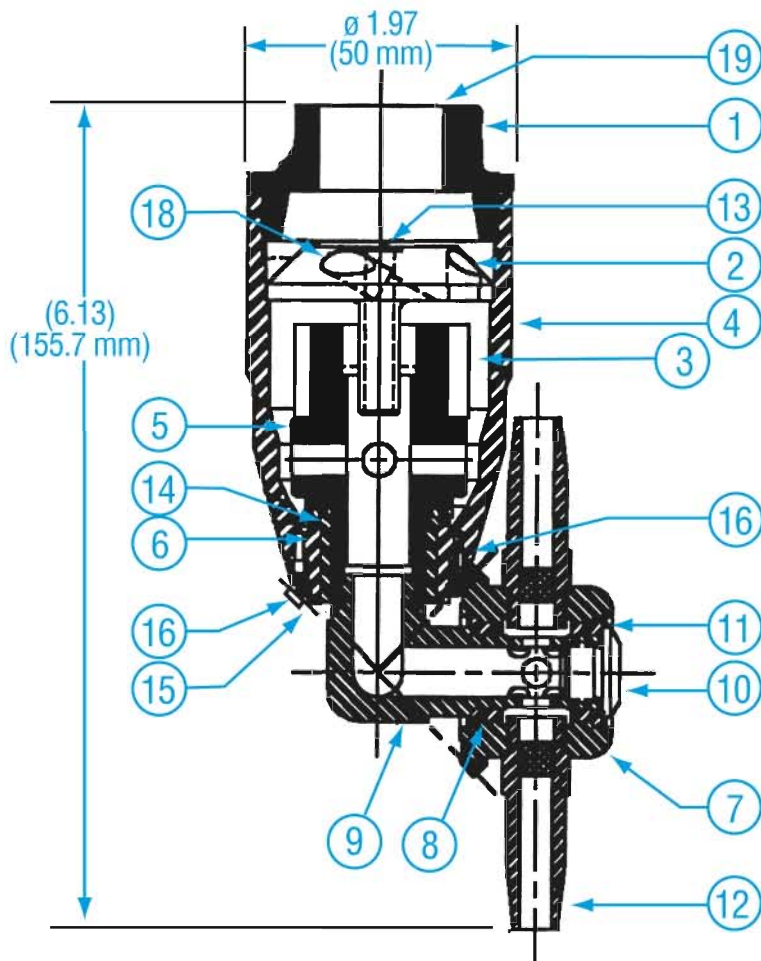
Specifications

| | | | |
|----------------------------|---------------------------|----------------------------------|---------------------|
| Operating Pressure: | 75-300 PSI (5.2-20.7 BAR) | Nozzle Orifice Diameter Options: | .234 in. (5.9 mm) |
| Flow Capacity (4 models): | 11-27 GPM (42-102 l/m) | | .172 in. (4.4 mm) |
| Max. Operating Temp: | 250°F (121°C) | Approx. Weight: | 2 lbs (0.9 kgs) |
| Tank Opening Size: | 3 in. (76.2 mm) | Materials: | 316 Stainless Steel |
| Effective Cleaning Radius: | 15 ft (4.6 m) | | Food Grade Plastics |
| Pipe Connection: | 3/4 in. Female NPT | Overall Head Length: | 6-1/4 in. (159 mm) |
| | | No. of Nozzles: | 2 |

Orbi-G3 Performance Curves



Parts List



| Item No. | Part or Identifying No. | Description |
|----------|-------------------------|------------------------------------|
| 1 | 75-1403 | Cap, Inlet, 1.97 x 1 |
| 2 | 75-1857 | Motor, Water, 4 hole, 1.69 OD |
| 3 | 75-1801SS | Rotor, 6 Tooth |
| 4 | 75-1853 | Body, Main, 1.93 Dia. |
| 5 | 75-1854 | Shaft, Vertical, 1.0 Hex, 1.75 Lg. |
| 6 | 75-1408 | Bushing, Shaft |
| 7 | 75-1851 | Body, Nozzle, Geared, 1.54 OD |
| 8 | 75-1846 | Bushing, Flanged |
| 9 | 75-1859 | Shaft, Elbow |
| 10 | 75-1844 | Cap, Shaft, .66 Dia. x .38 Lg. |
| 11 | 75-1847 | Ring, Retaining |
| 12 | 75-1849AA | Nozzle Assembly, ϕ .234 |
| 13 | | Plug, Bypass, as required |
| 14 | 75-1863G | Washer, Shaft |
| 15 | 75-1855 | Ring, Retaining, 1.0 ID |
| 16 | 75-1852 | Gear, Bevel, 1.52 OD |
| 17 | 75-1856 | Pin, Roll, ϕ .066 |
| 18 | 75-1455-E | Plug, Bypass, ϕ .156 |
| 19 | | Protective Cap |
| 20 | 625-03561 | Never Seez |
| 21 | 75-1858-SPK | Kit, Parts, Spare |
| 21-1 | 75-1856 | Pin, Roll, ϕ .066 |
| 21-2 | 75-1863G | Washer, Shaft |
| 21-3 | 75-1847 | Ring, Retaining |
| 21-4 | 75-1846 | Bushing, Flanged |
| 21-5 | 75-1408 | Bushing, Shaft |
| 21-6 | 7-33-1 | Plug, Bypass, Solid |

