

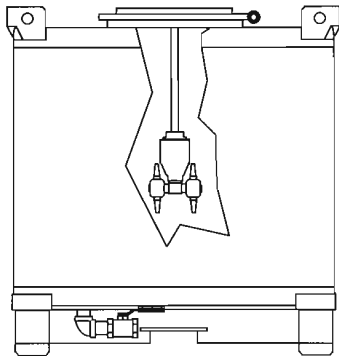
ORBI-G4 Tank Cleaner

The Sellers[®] Orbi-G4 provides a thorough and cost-effective 360 degree indexing spray pattern, that repeats every 45 revolutions. Designed to fit through a 3.75" opening, the four nozzle Orbi offers high impact cleaning of tanks, or vessels up to 30 feet in diameter.

Ideal for cleaning of totes, IBC's, or processing tanks in most industries.

This NEW model provides the same reliable features found in most SELLERS products:

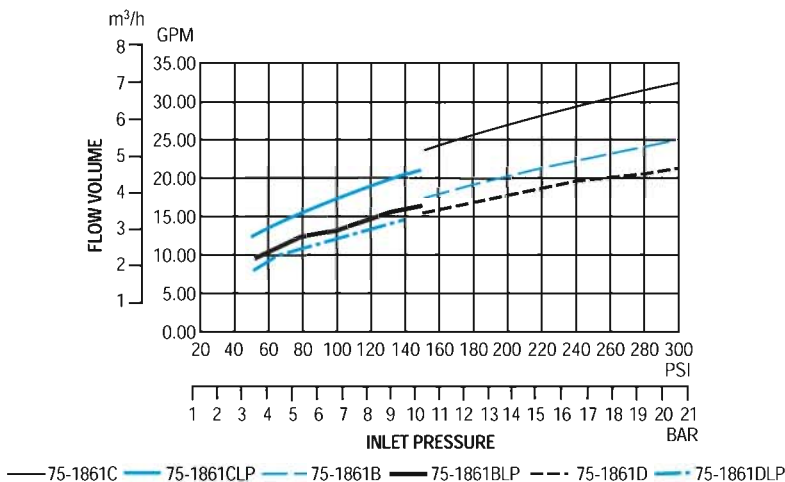
- Self-cleaning flow through design
- Pressures from 50-300 psi, and flows from 8-33 gpm
- Effective cleaning radius up to 15 feet
- 3 different nozzle sizes (.172", .140", .125")
- Ease of field maintenance
- May install on a permanent basis (CIP) or use in a portable manner



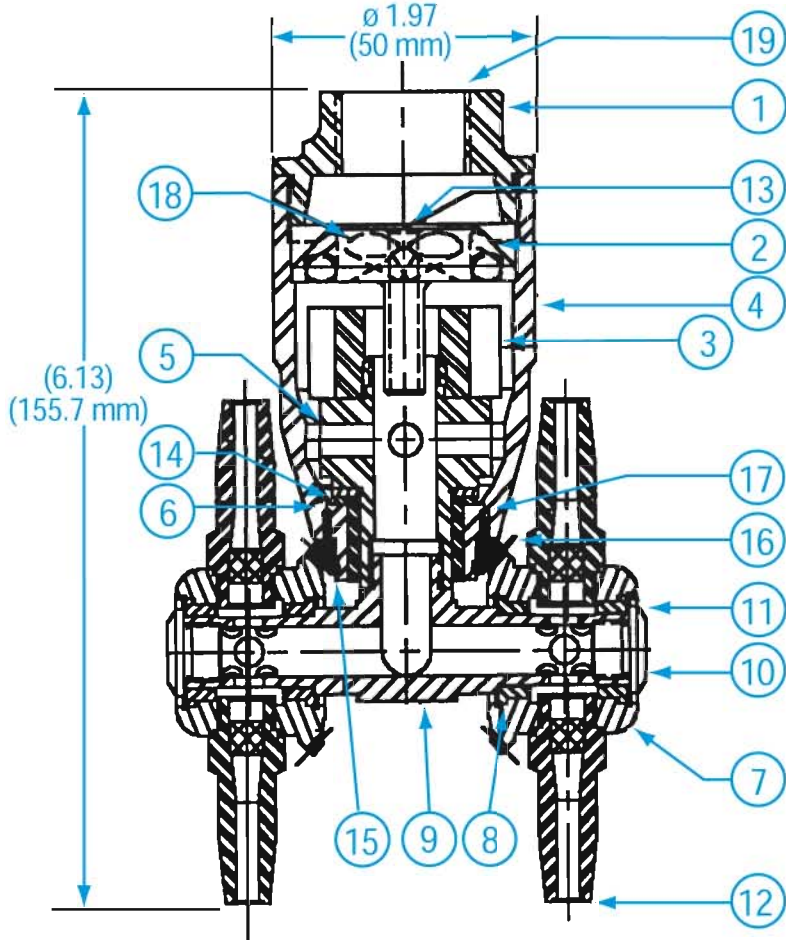
Specifications

Operating Pressure:	50-300 PSI (3.4-20.7 BAR)	Nozzle Orifice Diameter:	.125 in. (3.2 mm)-.172 in. (4.4 mm)
Flow Capacity:	8-33 GPM (30-125 l/m)	Approx. Weight:	3 lbs (0.9 kgs)
Max. Operating Temp:	250°F (121°C)	Materials:	316 Stainless Steel, Teflon & UHMW-PE
Tank Opening Size:	3.75 in. (95.2 mm)		
Effective Cleaning Radius:	15 ft (4.6 m)	Overall Head Length:	6-1/4 in. (159 mm)
Pipe Connection:	3/4 in. Female NPT	No. of Nozzles:	4
Head Rotation Speed:	7-17 RPM		

Orbi-G4 Performance Curves



Parts List



Item No.	Part or Identifying No.	Description
1	75-1403	Cap, Inlet
2	75-1857	Motor, Water, 4 hole
3	75-1801SS	Rotor, 6 Tooth
4	75-1853	Body, Main
5	75-1854	Shaft, Vertical
6	75-1862	Bushing, Shaft
7	75-1851	Body, Nozzle, Geared
8	75-1846	Bushing
9	75-1860	Shaft, Elbow
10	75-1844	Cap, Shaft
11	75-1847	Ring, Retaining
12	75-1849CA	Nozzle Assembly, $\varnothing.172$
13		Plug, Bypass, size as required
14	75-1863G	Washer
15	75-1855	Ring, Retaining
16	75-1852	Gear, Bevel
17	75-1856	Pin, Roll, $\varnothing.062$
18	75-1455-D	Plug, Bypass, $\varnothing.156$
19		Protective Cap
20	625-03561	Never Seez
21	75-1861-SPK	Kit, Parts, Spare
21-1	75-1856	Pin, Roll, $\varnothing.062$
21-2	75-1863G	Washer
21-3	75-1847	Ring, Retaining
21-4	75-1846	Bushing
21-5	75-1862	Bushing, Shaft
21-6	7-33-1	Plug, Bypass, Solid

