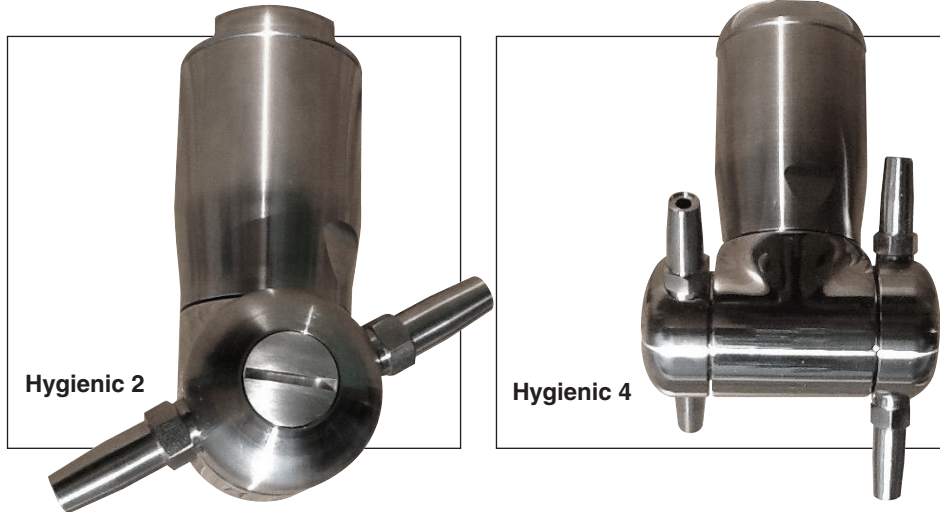


Hygienic 2 and 4



The new Hygienic 2 and 4 designs incorporate the proven performance and self-cleaning, self-draining capabilities of the dual-nozzle Orbi-G3 and four-nozzle Orbi-G4 models, but also offer a more hygienic appearance — with no exposed gears that may get damaged during insertion into small openings in a portable installation.

The Hygienic 2 and 4 models effectively and thoroughly clean the tanks and

process vessels, with a minimum of cost and maintenance, for a variety of applications in the brewing, chemical processing, food processing, bulk transport and pharmaceutical industries. These models are hydraulically driven by the cleaning solution and will provide a thorough 360-degree cleaning pattern every 45 revolutions. The hydraulic drive gives it longer life and more reliability, without any internal drive gears to worry about. Ease of field maintenance!

The Hygienic 2 is also available with four nozzles (.125 [QUAD]) on one nozzle carrier as an option to the standard dual .234 nozzles. This offers a slower rotational speed for increased impact at lower flows, resulting in a four-nozzle attack for cleaning when needed.

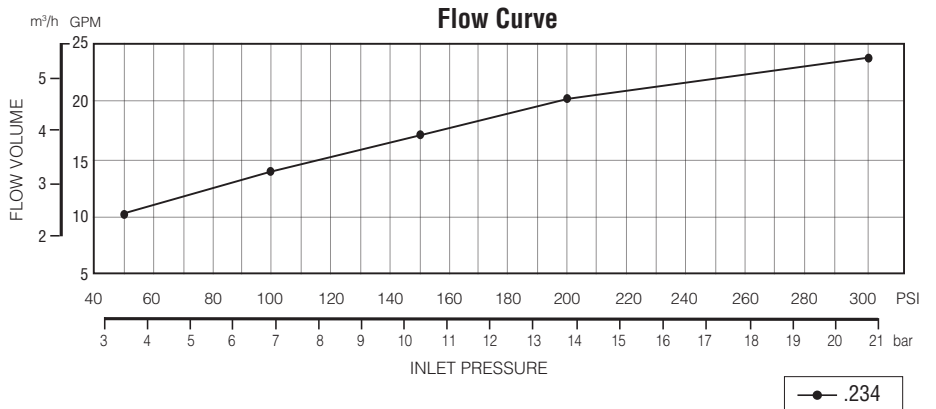
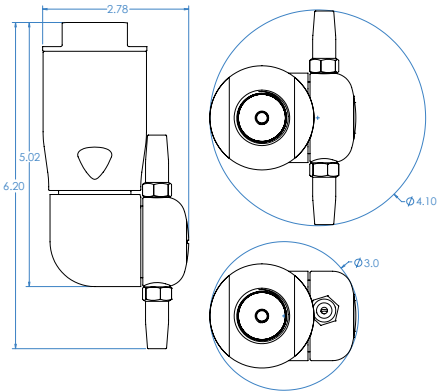
The Hygienic 4 continues to have two (2) nozzle carriers consisting of a total of four (4) .172 or .125 nozzles.

Specifications

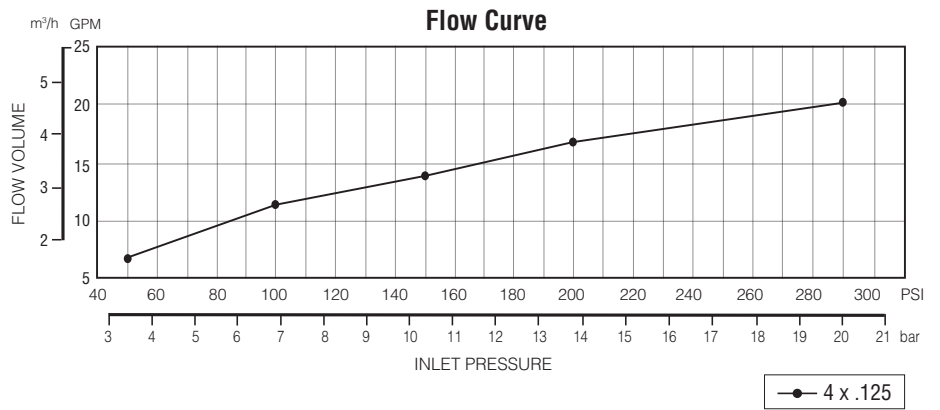
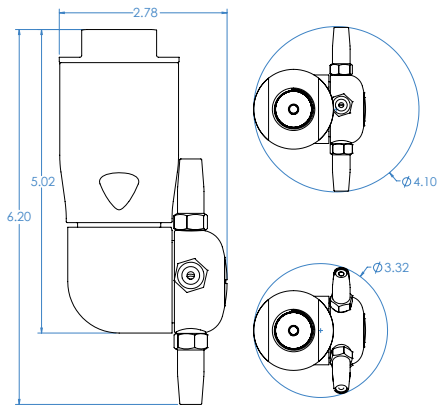
Operating Pressure	50–300 (3.4–20.6 bar)
Flow Capacity	8–30 GPM (30–113 l/m)
Maximum Operating Temperature	250 °F (120 °C)
Effective Cleaning Radius	15 ft (4.6 m)
Effective Wetting Radius	20 ft (6.1 m)
Pipe Connection	¾" NPT, BSPT (optional sanitary)
Nozzle Orifices	Hygienic 2 — Dual .234 (5.94 mm) Hygienic 2 — Quad .125 (3.18 mm) four nozzles Hygienic 4 — Four (4) .125 (3.18 mm) or .172 (4.37 mm)
Approximate Weight	Hygienic 2 — 2.6 lbs (1.18 kg) Hygienic 4 — 3.3 lbs (1.49 kg)
Materials	316 stainless steel and FDA approved 21 CFR 177 polymers
Minimum Opening	Hygienic 2 — 3.0" (76 mm) Hygienic 2 Quad — 3.32" (85 mm) Hygienic 4 — 3.75" (95 mm)
Cycle Time	3–8 minutes

Technical Information

Hygienic 2 — Dual-Nozzle



Hygienic 2 — Quad-Nozzle



Hygienic 4 — Nozzle

