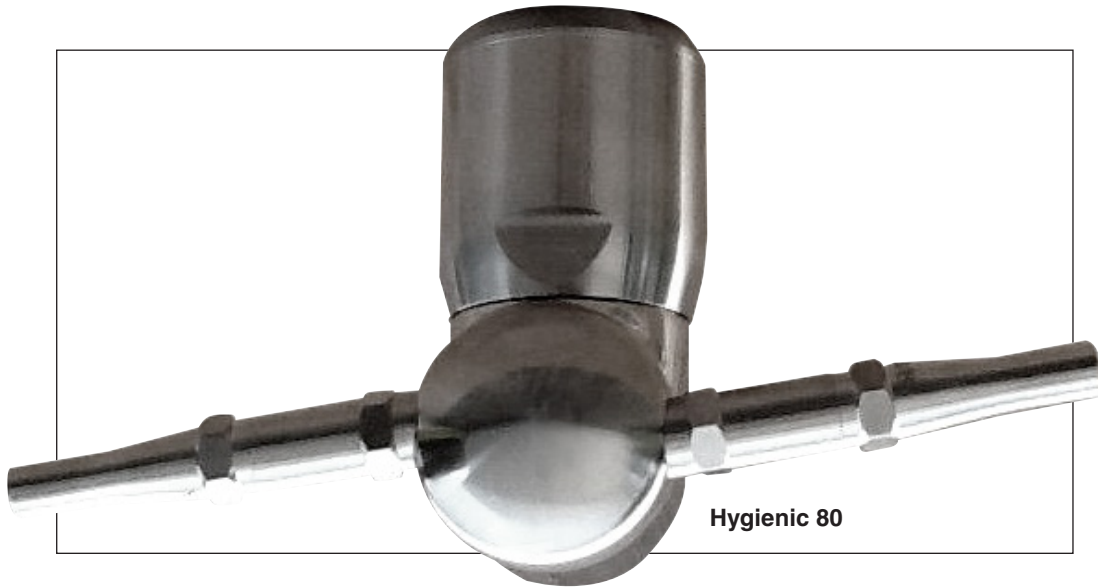


Hygienic 80



The new Hygienic 80 design incorporates the proven performance and self-cleaning, self-draining capabilities of the current dual- and triple-nozzle Tankman models, but it also offers a more hygienic appearance — with no exposed gears, a larger selection of nozzle orifices, less component parts and improved performance.

The Hygienic 80 effectively and thoroughly cleans the tanks and process vessels, with a minimum of cost and maintenance, for a variety of applications in the brewing, chemical processing, food processing and pharmaceutical industries. Both dual- and triple-nozzle models are

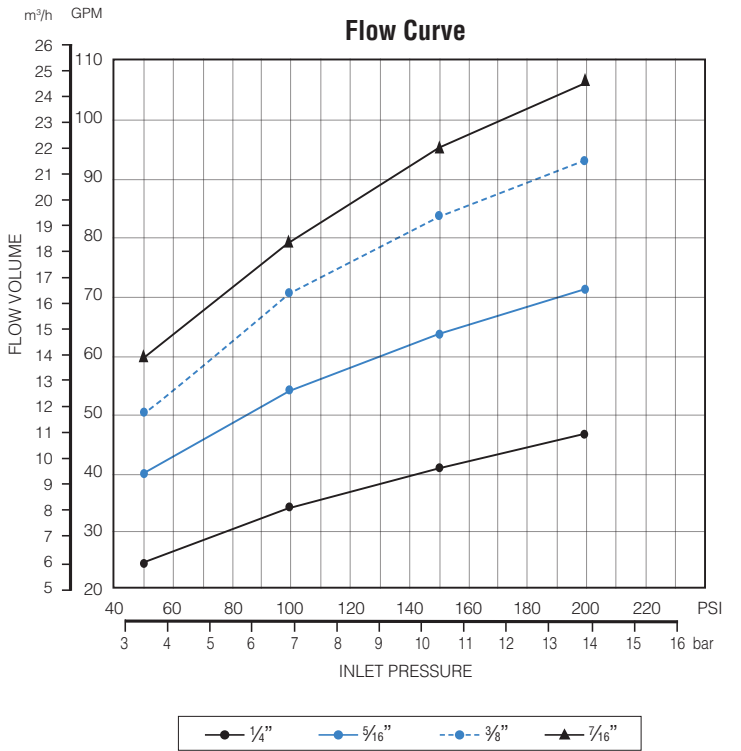
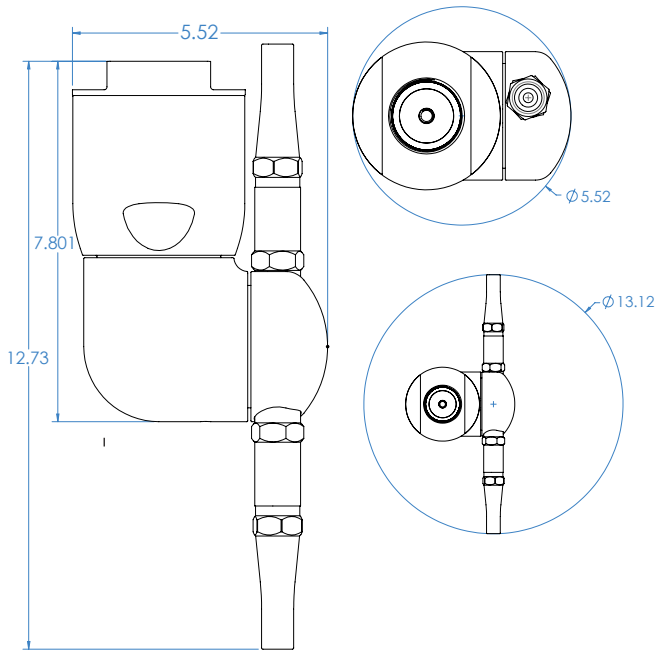
hydraulically driven by the cleaning solution and will provide a thorough 360-degree cleaning pattern every 45 revolutions. The hydraulic drive gives it longer life and more reliability, without any internal drive gears to worry about. Ease of field maintenance!

Specifications

Operating Pressure	50–200 PSI (3.4–13.8 bar)
Flow Capacity	25–135 GPM (95–511 l/m)
Maximum Operating Temperature	250 °F (120 °C)
Effective Cleaning Radius	25 ft (7.6 m)
Effective Wetting Radius	40 ft (12 m)
Pipe Connection	1½" NPT, BSPT (optional sanitary)
Nozzle Orifices	¼" (6.35 mm), ⅜" (7.8 mm), ½" (9.5 mm), ⅝" (11 mm)
Approximate Weight	15 lbs (6.8 kg)
Materials	316 stainless steel and FDA approved 21 CFR 177 polymers
Minimum Opening	5.52 (140 mm) — Dual; 11.96 (304 mm) — Triple
Cycle Time	3–8 minutes

Technical Information

Hygienic 80 — Dual-Nozzle



Hygienic 80 — Triple-Nozzle

